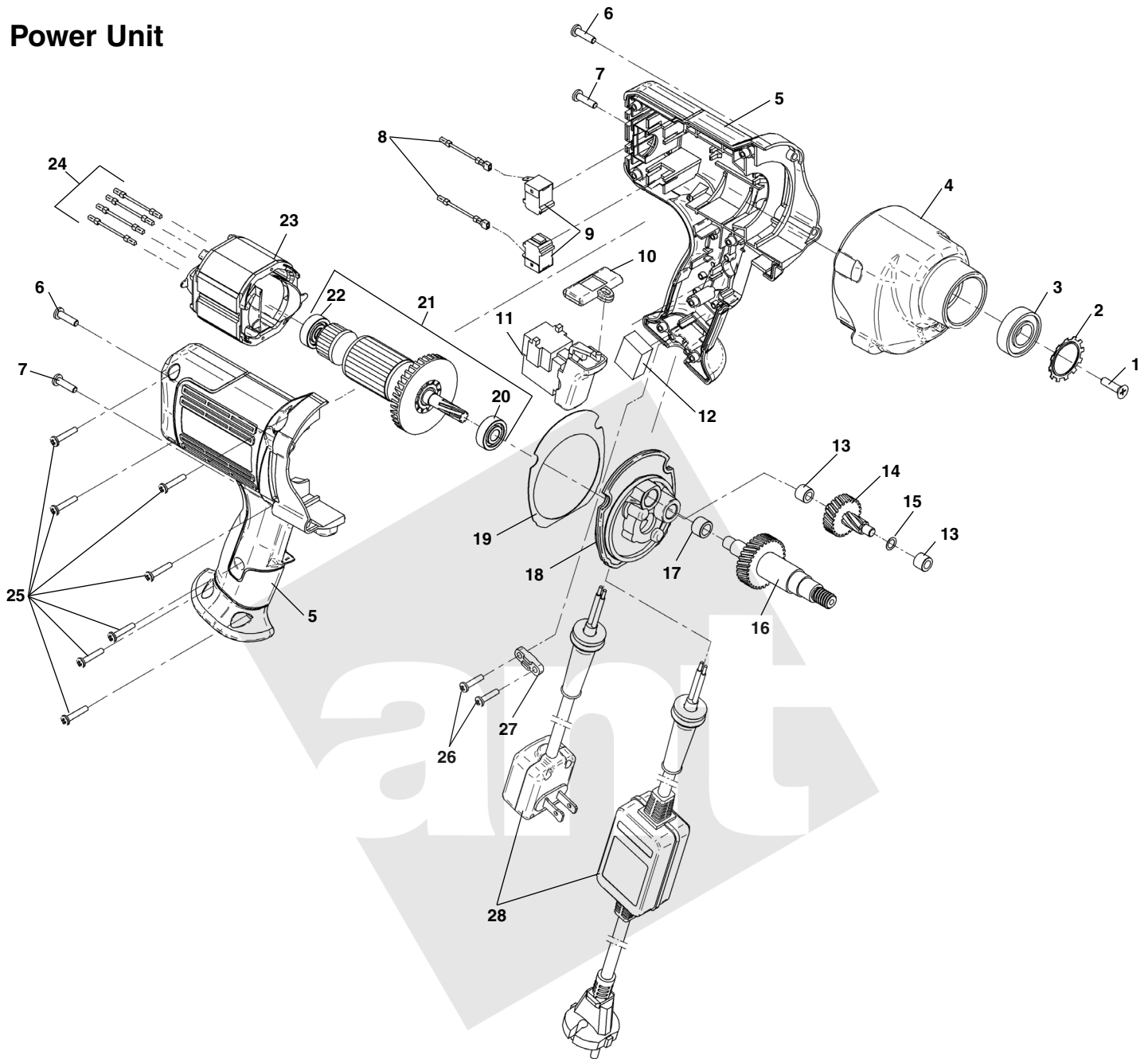
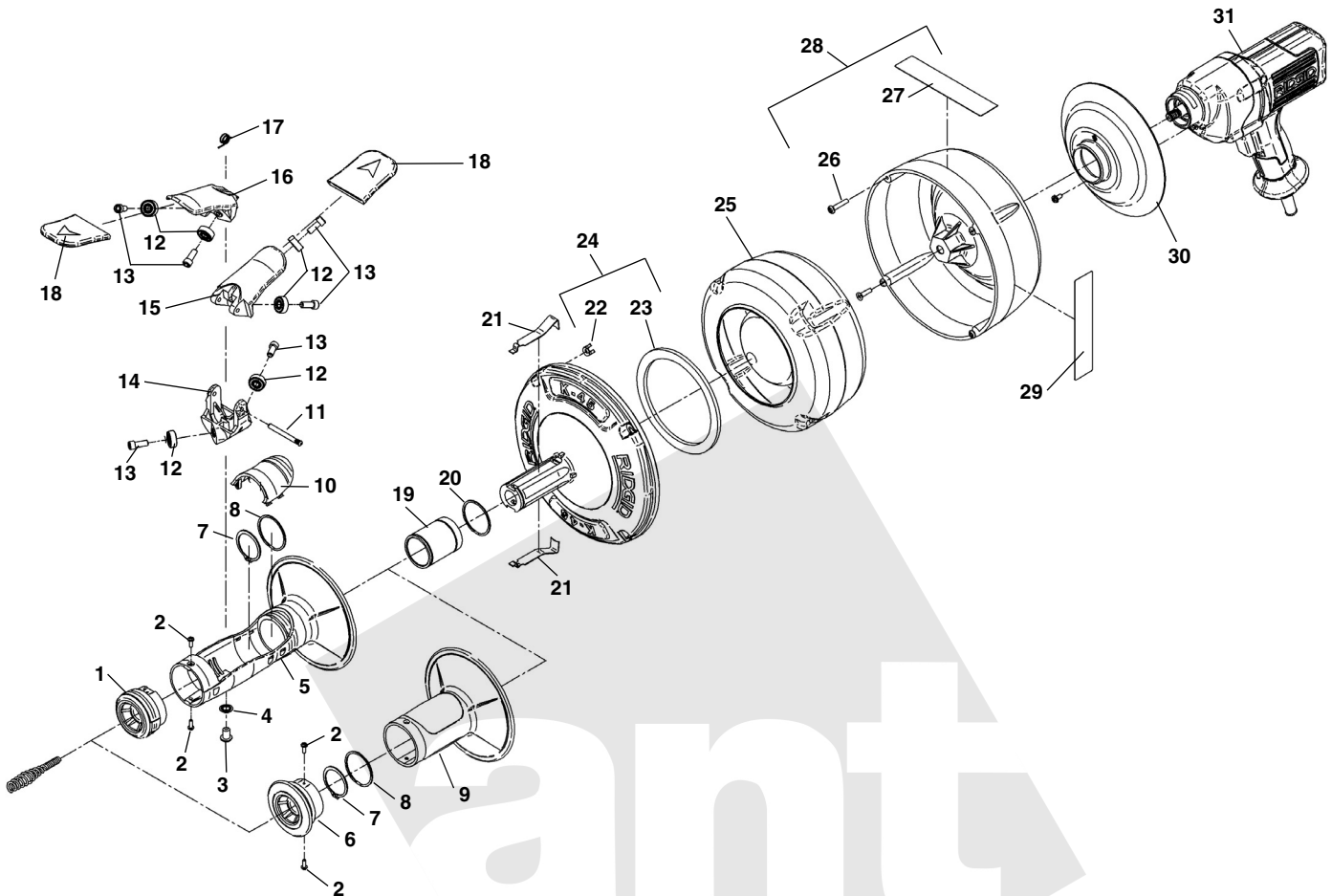


Power Unit



**NOTE: Order parts by Catalog Number only.
DO NOT order by Reference Number.**

| Ref. No. | Catalog No. | Description | Ref. No. | Catalog No. | Description |
|----------|-------------|------------------------------|----------|-------------|-----------------------------|
| — | 36488 | Power Unit, 115V | 15 | 36398 | Washer |
| — | 36493 | Power Unit, 230V (Europe) | 16 | 36408 | Spindle Gear |
| — | 40018 | Power Unit, 230V (Australia) | 17 | 36413 | Needle Bearing |
| 1 | 36333 | Screw, LH | 18 | 36418 | Bearing Plate |
| 2 | 36338 | Star Washer | 19 | 36423 | Gasket |
| 3 | 36343 | Bearing | 20 | 36428 | Bearing |
| 4 | 36348 | Gear Housing | 21 | 36433 | Armature, 115V |
| 5 | 36353 | Housing Set | | 36438 | Armature, 230V |
| 6 | 36358 | Screw, M4 x 25 | 22 | 36443 | Bearing |
| 7 | 36363 | Screw, M4 x 41 | 23 | 36448 | Field, 115V |
| 8 | 36368 | Brush Wire Set | | 36453 | Field, 230V |
| 9 | 36373 | Brush Set | 24 | 36458 | Lead Wire Set |
| 10 | 36378 | Switch Lever | 25 | 36463 | Screw |
| 11 | 36383 | Switch | 26 | 36468 | Screw |
| | | Switch, 230V | 27 | 36473 | Cord Clamp |
| 12 | 36388 | Capacitor 230V | 28 | 36478 | Line Cord, 115V |
| 13 | 36393 | Needle Bearing | | 36483 | Line Cord, 230V (Europe) |
| 14 | 36403 | Intermediate Gear | | 40023 | Line Cord, 230V (Australia) |



**NOTE: Order parts by Catalog Number only.
DO NOT order by Reference Number.**

| Ref. No. | Catalog No. | Description | Ref. No. | Catalog No. | Description |
|----------|-------------|------------------------|----------|-------------|----------------------|
| 1 | 24163 | Nose Piece, Auto | 17 | 24228 | Torsion Spring |
| 2 | 24168 | Screw | 18 | 30138 | AUTOFEED Lever Cover |
| 3 | 24178 | Button Screw 5/16 - 18 | 19 | 24233 | Sleeve |
| 4 | 92255 | Lockwasher | 20 | 41512 | Spiral Ring |
| 5 | 24183 | Hand Grip, Auto | 21 | 24243 | Clamp Spring |
| 6 | 24188 | Nose Piece, Manual | 22 | 68942 | Clips |
| 7 | 24193 | Retaining Ring | 23 | 47252 | Gasket |
| 8 | 41512 | Spiral Ring | 24 | 24238 | Drum Front |
| 9 | 24198 | Hand Grip, Manual | 25 | 68917 | Drum Liner |
| 10 | 24203 | Top Grip Cap | 26 | 69542 | Screw 10-32 x 1 |
| 11 | 24208 | Pivot Pin | 27 | 24249 | Caution Label |
| 12 | 67997 | Roller Bearing | 28 | 68932 | Drum Back |
| 13 | 39830 | Socket HD Cap Screw | 29 | 36503 | Warning Label |
| 14 | 24213 | AUTOFEED Carriage | 30 | 36498 | Drum Guard |
| 15 | 24218 | Reverse Lever | 31 | 36488 | Power Unit 115V |
| 16 | 24223 | Forward Lever | | 36493 | Power Unit 230V |